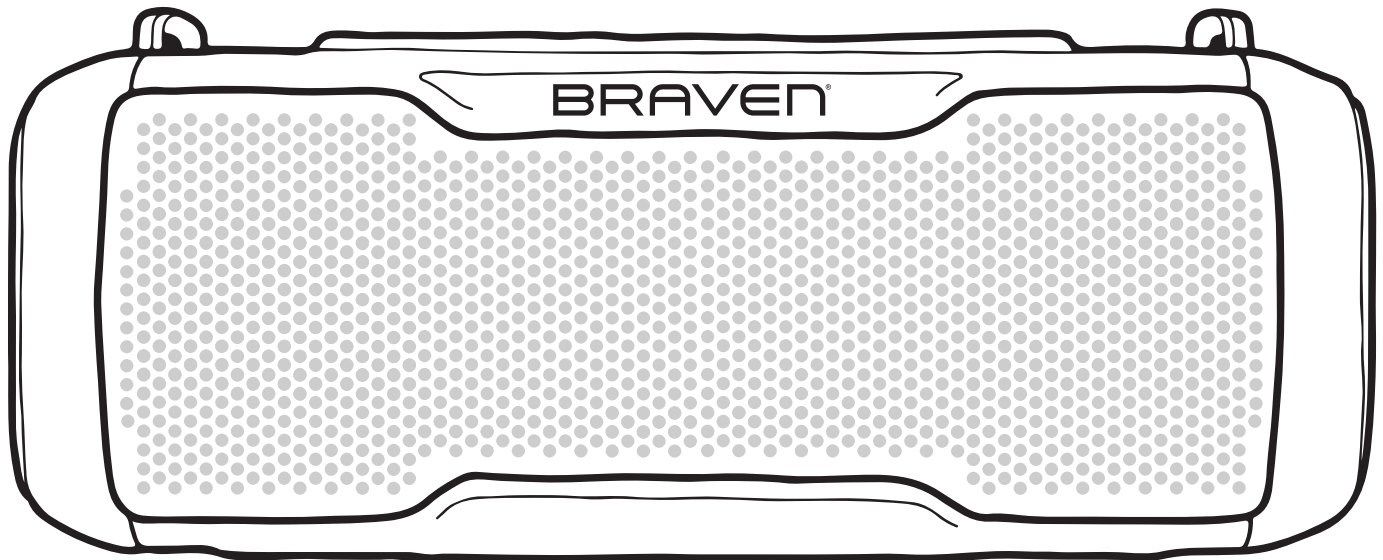


BRAVEN®

BRV-X/2

RUGGED PORTABLE SPEAKER



USER MANUAL

GET TO KNOW YOUR BRAVEN SPEAKER.

REGISTER YOUR BRAVEN SPEAKER

Your BRV-X/2 has a 2-year limited warranty in case the unimaginable happens. Visit www.zagg.com/BRAVEN and scroll down to the bottom, looking for "How to Register Your Product", and follow the instructions there.

IN THE BOX

Speaker, Strap, USB-C® cable, sticker

POWER & BLUETOOTH PAIRING

1. Press the power button for 2-3 seconds to turn your BRV-X/2 on or off.
2. Toggle Bluetooth® on in your source device settings.
3. Your speaker will automatically enter Bluetooth Pairing mode when first powered on. Go to your device's Bluetooth settings and select BRV-X/2 from the list.
4. To pair a second device, press and hold the play/Bluetooth button for 2-3 seconds until you hear the guitar riff and the light starts blinking RED and BLUE. Go to your device's Bluetooth settings and select BRV-X/2 from the list. Your BRV-X/2 will remember the last 3 devices it has paired with and connect automatically when powered on.

power on / off (press and hold) /
smartphone assistant (double press)

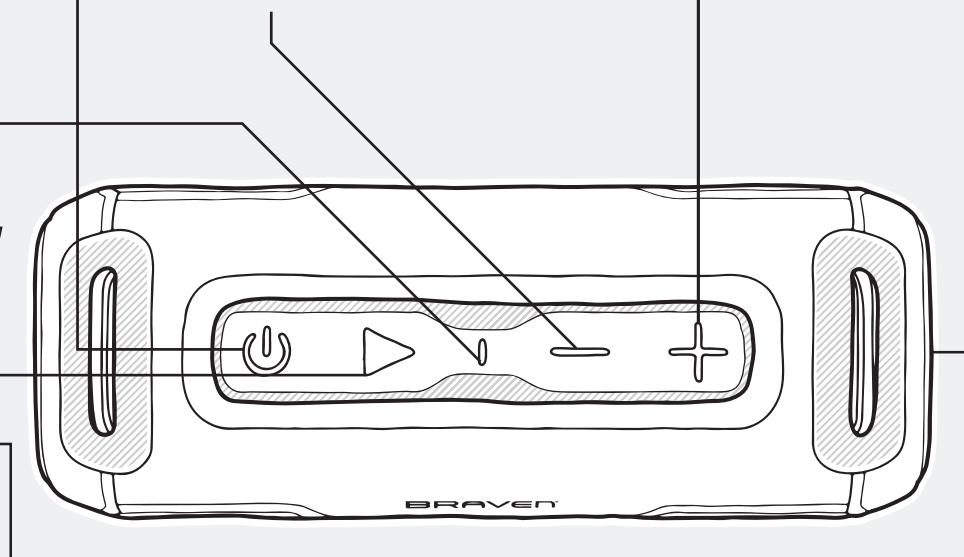
volume down / skip
backward (press and hold)

volume up / skip forward
(press and hold)

led indicator

play / pause / answer / end call /
Bluetooth® pairing (press and
hold) / stereo pairing*
(double press)

type-c port for charging
/ USB charge out port / aux input



SPEAKERPHONE

If you get a call while paired to your BRV-X/2, you'll hear the ringtone come through the speaker. Press the play button on the BRV-X/2 to answer the call, double press to end it.



CONNECT 2 BRV-X/2 SPEAKERS TOGETHER

Note: Start with both speakers powered off.

1. Power on the primary speaker and let it re-connect to your phone. If this is the first time pairing to it, please see "Power & Bluetooth Pairing" above.
2. After you have connected your source device, quickly press the play/Bluetooth button twice. You should hear a new guitar riff and the light on the top will start alternating GREEN and WHITE.

IMPORTANT: The light on the speaker connected to your source device should be blinking GREEN/WHITE not RED/BLUE.

3. Grab the secondary speaker.
 - a. If it is brand new, simply turn it on and wait 5-10 seconds until you hear them sync up with an audio cue together.
 - b. If the secondary speaker has been paired to another device before, first turn it on and then press and hold the play/Bluetooth button for 2-3 seconds until you hear the guitar riff and the light starts blinking RED and BLUE. Wait 5-10 seconds and you should hear them sync up with an audio cue together.

Note: Next time, the speakers will remember each other. Simply turn them on nearby to each other and they should reconnect automatically within 10 seconds, no further actions needed.

Note: When synchronized, controls from either speaker (play, pause, volume, skip) will control both speakers together.

Note: When synchronized, if you power off either speaker, both will power off together.

VOLUME & PLAYBACK CONTROL

Increase the volume by quickly pressing the "+" button or decrease the volume by quickly pressing the "-" button. You can also easily control volume from your phone.

Skip to the next track by pressing and holding the "+" button, or replay the previous track by pressing and holding the "-" button.

CHARGING YOUR BRAVEN SPEAKER

Before using your BRV-X/2 for the first time, fully charge your speaker until the LED on the top turns off.

Charge your BRV-X/2 by plugging the USB-C port into any USB cable. Next, plug the USB-C end into the side of the BRV-X/2 by opening the flap with the "B" logo on it.

Note: If your BRV-X/2 does not appear to be charging, use the USB-C cable that comes with the speaker, and ensure it is plugged into a supply no greater than 5V (any computer or standard USB port). Check the charger you are trying to use for more information.

BATTERY CHECK

You can easily check the battery percentage of your BRV-X2. First ensure the speaker is powered on and quickly press the power button once. The LED will blink a color corresponding to battery life:

GREEN 3x = Battery is 60 - 100%

YELLOW 3x = Battery is 20 - 59%

RED 3x = Battery is 19 - 0%



CHARGING EXTERNAL DEVICES

Your BRV-X/2 can charge most USB-enabled phones and devices using the full size 5A USB port.

To use external charging:

1. Turn your BRV-X/2 on.
2. Plug your USB power cable into the USB port on the side of your BRV-X/2.
3. Insert the other end of the cable into your device to immediately begin charging.

WATERPROOF FEATURES

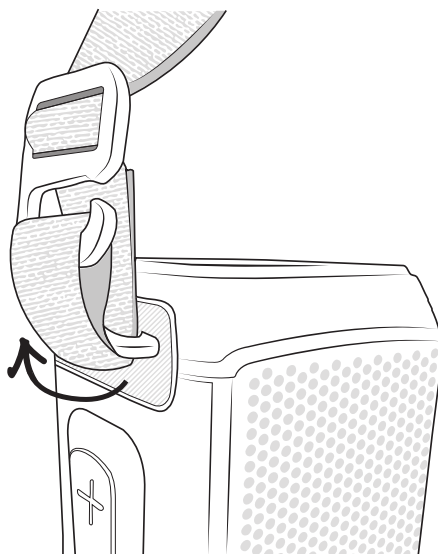
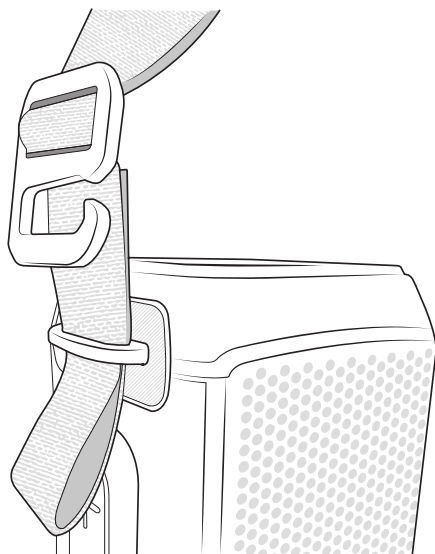
The BRV-X/2 is IPX7 waterproof certified, designed to withstand complete submersion at up to 1 meter for 30 minutes. **IMPORTANT:** Ensure your BRV-X/2 is prepared for use in a wet environment by removing all cables that may be connected to it, and tightly sealing the port cover with the "B" logo on it. If the port cover is not tightly sealed, your BRAVEN speaker may sustain water damage.

RESETTING YOUR BRAVEN SPEAKER

To reset your BRV-X/2 to factory settings first turn the speaker on. Then, at the same time, hold both the power and play buttons together for 8-10 seconds until the LED blinks from RED to WHITE a few times. The BRV-X/2 will have now forgotten all devices and BRV-X/2's it may have paired to.

ATTACHING THE STRAP

1. Loop the short end through one of the tiedown rings on the BRV-X/2
2. Connect that end back to the hook by sliding it in the side



STILL HAVING TROUBLE? WE'RE HERE FOR YOU!

Visit www.zagg.com/braven and scroll down to the Support section for FAQ's and to contact customer service

WARNINGS, CAUTION & LEGAL INFORMATION

To reduce the risk of fire or electric shock, do not expose the BRAVEN to rain or moisture while charging. The BRAVEN should not be exposed to dripping or splashing, and objects filled with liquids, such as vases, should not be placed on or near it while being charged or charging other devices. As with any electronic products, use care not to spill liquids into any part of the product. Liquids can cause a failure and/or a fire hazard. The power supply must be used indoors only. Make no modifications to the product or accessories. Unauthorized alterations may compromise safety, regulatory compliance, and system performance, and will void the warranty. Do not place any flame sources, such as lighted candles, on or near the BRAVEN. The BRAVEN contains small parts that may be a choking hazard and is not suitable for children under age 3. Do not continue charging the battery if it does not reach full charge within the specified charging time. Overcharging may cause the battery to become hot, rupture, or ignite. If you see any heat deformation or leakage, properly dispose of the battery. Do not attempt to charge the battery in temperatures outside the range of 32°-104°F (0°-40°C). If the battery begins to leak, do not allow the liquid to come in contact with your skin or eyes. If contact has been made, wash the affected area with plenty of water and seek medical attention immediately. Do not expose the product or battery to excessive heat, including direct sunlight or fire and storage or use inside cars in hot weather, where it can be exposed to temperatures in excess of 115°F (60°C). Doing so may cause the battery and power supply to generate heat, rupture, or ignite. Using the product in this manner also may result in a loss of performance and a shortened life expectancy. Extended exposure to direct sunlight may damage the external appearance and material qualities. Do not step on, throw, or drop batteries or the power supply or device, or expose them to a strong shock. Do not pierce, crush, dent, or deform the batteries or power supply in any way. If either becomes deformed, properly dispose of it. Do not short-circuit batteries. Do not attempt to service the BRAVEN yourself. Opening or removing covers may expose you to dangerous voltages or other hazards and will void the manufacturer's warranty. To prevent risk of fire or electric shock, avoid overloading wall outlets, extension cords, or integral convenience receptacles. Your Bluetooth device (mobile phone, music player, tablet, laptop, etc.) must support the A2DP Bluetooth profile in order to work wirelessly with your new BRAVEN speaker. The A2DP profile is supported by most recent mobile products with built-in Bluetooth capability. Please refer to your device's user manual for details and instruction regarding the Bluetooth profiles it supports. This device complies with part 15 of the FCC Rules. Operation is subject to the following two conditions: (1) This device may not cause harmful interference, and (2) this device must accept any interference received, including interference that may cause undesired operation.

NOTE: This equipment has been tested and found to comply with the limits for a Class B digital device, pursuant to part 15 of the FCC Rules. These limits are designed to provide reasonable protection against harmful interference in a residential installation. This equipment generates, uses and can radiate radio frequency energy and, if not installed and used in accordance with the instructions, may cause harmful interference to radio communications. However, there is no guarantee that interference will not occur in a particular installation. If this equipment does cause harmful interference to radio or television reception, which can be determined by turning the equipment off and on, the user is encouraged to try to correct the interference by one or more of the following measures:

- Reorient or relocate the receiving antenna.
- Increase the separation between the equipment and receiver.
- Connect the equipment into an outlet on a circuit different from that to which the receiver is connected.
- Consult the dealer or an experienced radio/ TV technician for help.

CAUTION: Any changes or modifications not expressly approved by the party responsible for compliance could void the user's authority to operate the equipment.

FCC RADIATION EXPOSURE STATEMENT: This device complies with FCC radiation exposure limits set forth for an uncontrolled environment. The device has been evaluated to meet the general RF exposure requirement. The device can be used in portable exposure conditions without restriction." "This device complies with Industry Canada license-exempt RSS standard(s). Operation is subject to the following two conditions: (1) this device may not cause interference, and (2) this device must accept any interference, including interference that may cause undesired operation of the device. Under Industry

Canada regulations, this radio transmitter may only operate using an antenna of a type and maximum (or lesser) gain approved for the transmitter by Industry Canada. To reduce potential radio interference to other users, the antenna type and its gain should be so chosen that the equivalent isotropically radiated power (e.i.r.p.) is not more than that necessary for successful communication. The device has been evaluated to meet general RF exposure requirement. The device can be used in portable exposure condition without restriction. This Class B digital apparatus complies with Canadian ICES-003.

Lithium Battery installed is not intended to be replaced by the USER.

CAUTION: Danger of explosion if battery is incorrectly replaced. Replace only with the same or equivalent type.

Where the MAINS plug is used as the disconnect device, the disconnect device shall remain readily operable.

The device meets the exemption from the routine evaluation limits in section 2.5 of RSS 102 and compliance with RSS-102 RF exposure, users can obtain Canadian information on RF exposure and compliance.



Correct Disposal of this product. This marking indicates that this product should not be disposed with other household wastes throughout the EU. To prevent possible harm to the environment or human health from uncontrolled waste disposal, recycle it responsibly to promote the sustainable reuse of material resources. To return your used device, please use the return and collection systems or contact the retailer where the product was purchased.



This product complies with California Energy Commission efficiency standards for consumer battery chargers.

Operating Frequency Band: 2402 MHz to 2480 MHz Maximum RF power: 6dBm EIRP



Braven hereby declares that this device is in compliance with Radio Equipment Directive 2014/53/EU. The full text of the EU DoC is available at the following: <https://www.braven.com/eu-declaration-of-conformity>.

Braven follows Safety Instruction for CE-LV. Do not operate products in temperatures outside the range of -5 - 40°C.

Do not install this equipment in a confined or building-in space such as a book case or similar unit, and remain a well ventilation conditions. The ventilation should not be impeded by covering the ventilation openings with items such as newspaper, table- cloths, curtains etc.

WARNING: To reduce the risk of fire or electric shock, do not expose this apparatus to rain or moisture. The apparatus shall not be exposed to dripping or splashing and that objects filled with liquids, such as vases, shall not be placed on apparatus.

WARNING: The power adapter is used as disconnect device, the disconnect device shall remain readily operable.

WARNING: Please refer the information on exterior bottom enclosure for electrical and safety information before installing or operating the apparatus. **CAUTION:** Danger of explosion if battery is incorrectly replaced. Replace only with the same or equivalent type. The battery (battery or batteries of battery pack) shall not be exposed to excessive heat such as sunshine, fire or the like.

Article 10

2. Manufacturers shall ensure that radio equipment shall be so constructed that it can be operated in at least one Member State without infringing applicable requirements on the use of radio spectrum.

10. In cases of restrictions on putting into service or of requirements for authorization of use, information available on the packaging shall allow the identification of the Member States or the geographical area within a Member State where restrictions on putting into service or requirements for authorization of use exist. The Commission may adopt implementing acts specifying how to present that information. Those implementing acts shall be adopted in accordance with the advisory procedure referred to in Article 45(2).